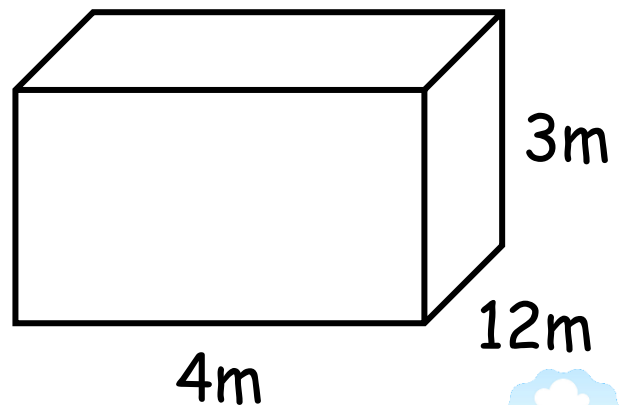
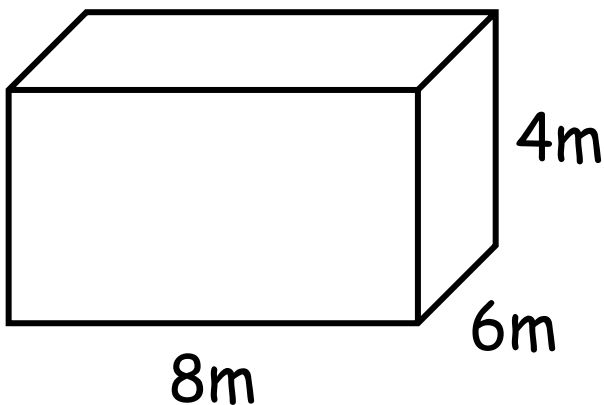
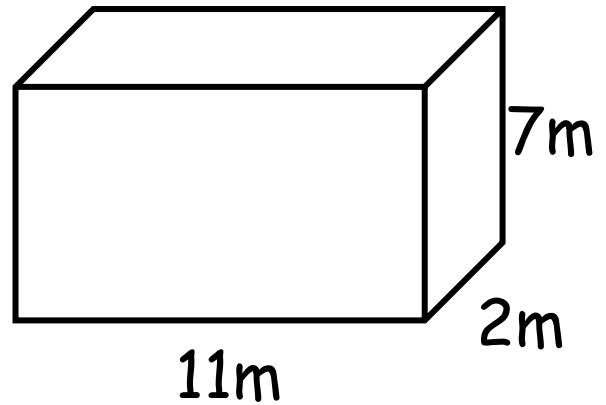
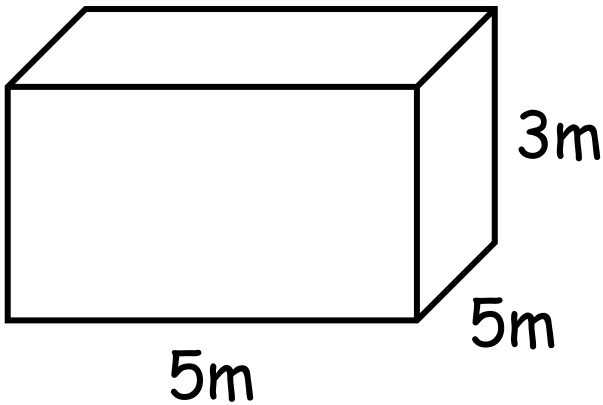
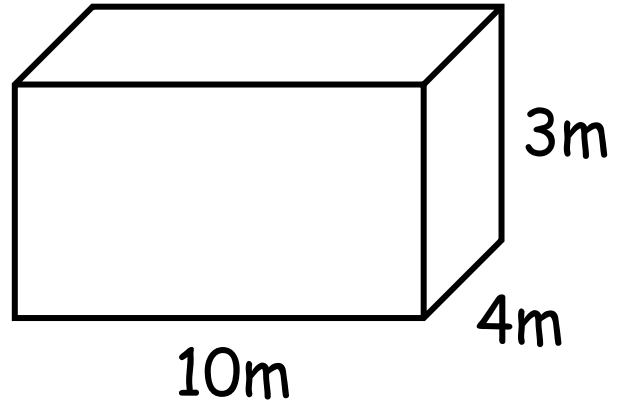
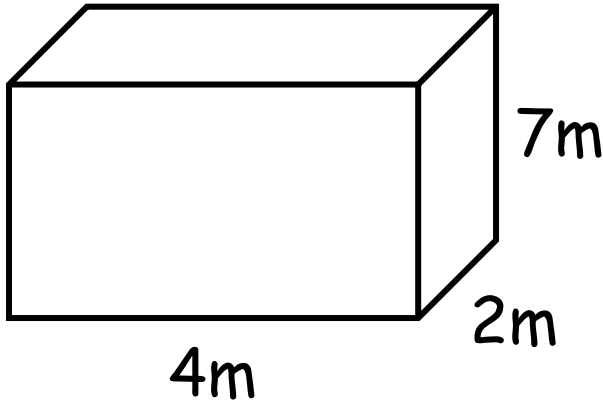


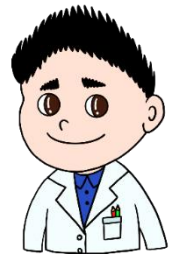
Name: _____



Volume

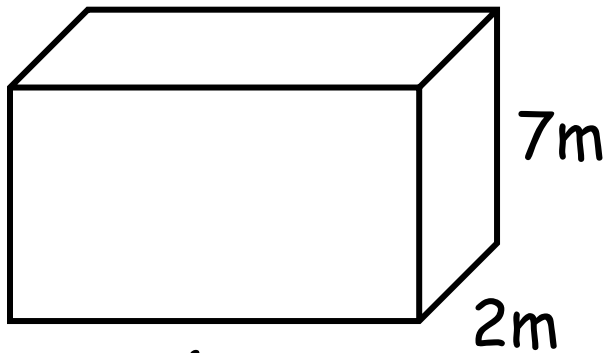
Find the volume of each shape.





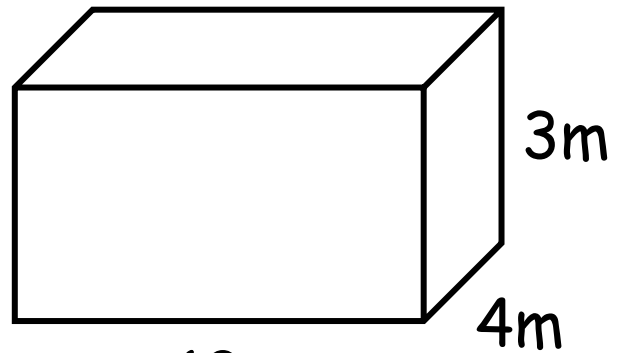
Volume

Find the volume of each shape.



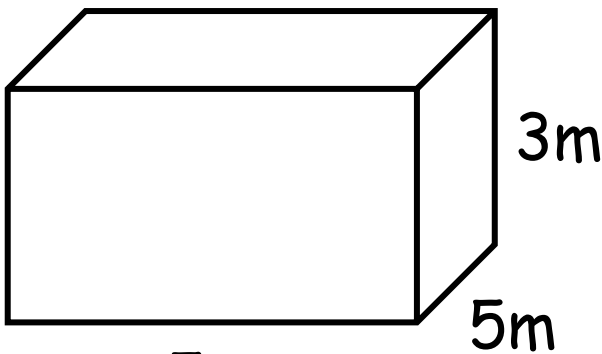
4m

56m^3



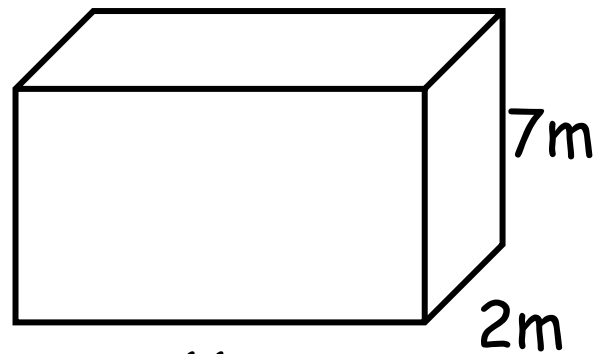
10m

120m^3



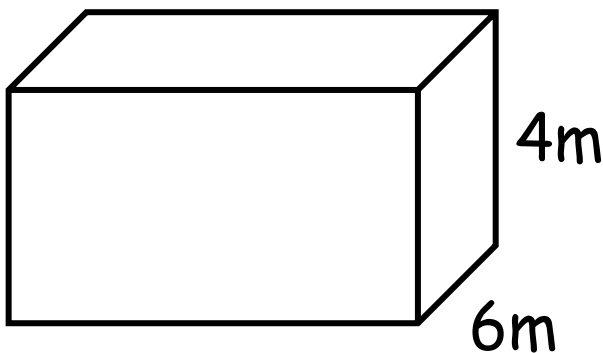
5m

75m^3



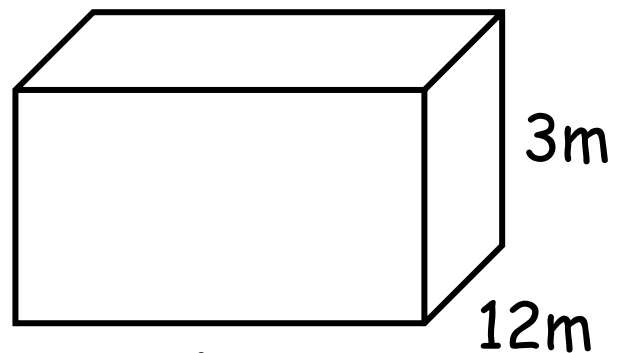
11m

154m^3



8m

192m^3



4m

144m^3

