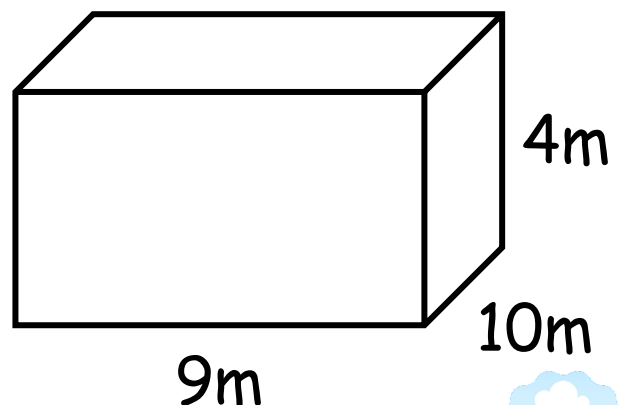
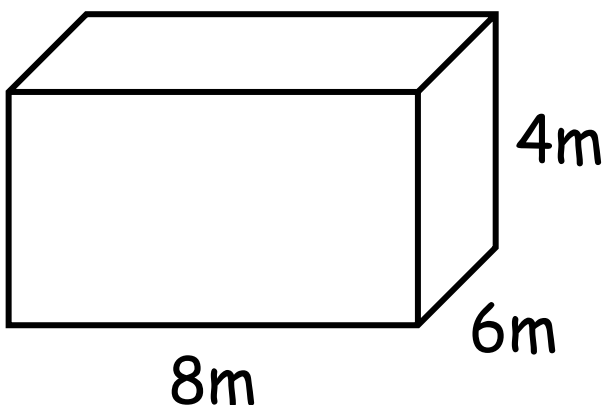
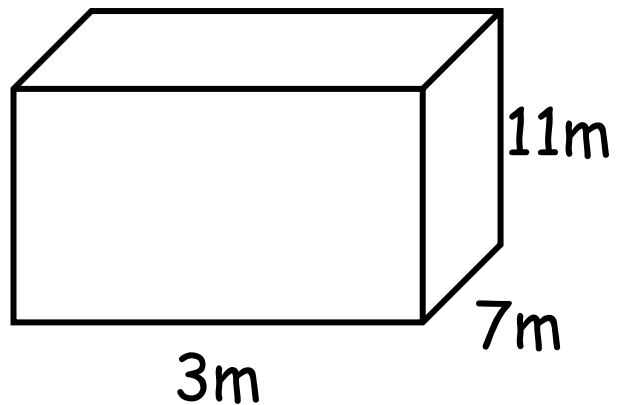
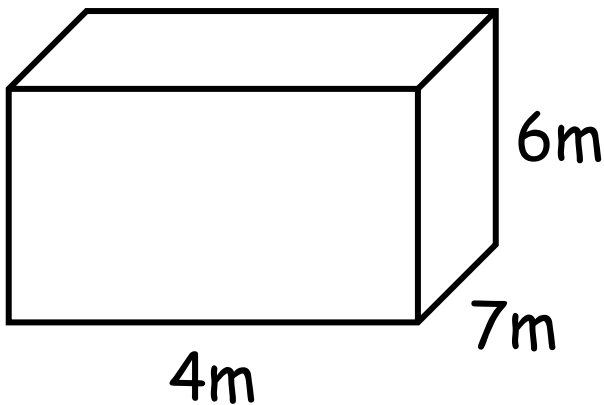
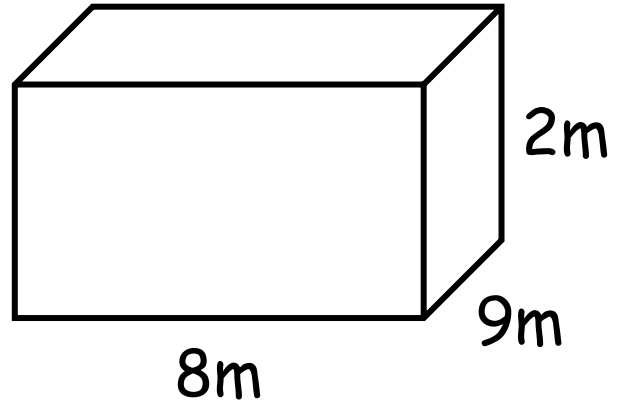
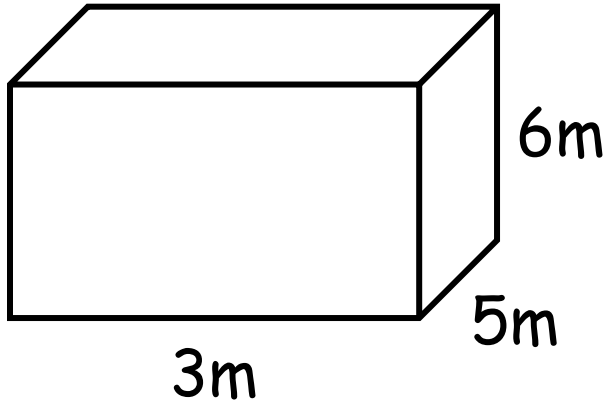


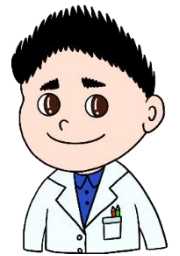
Name: \_\_\_\_\_



# Volume

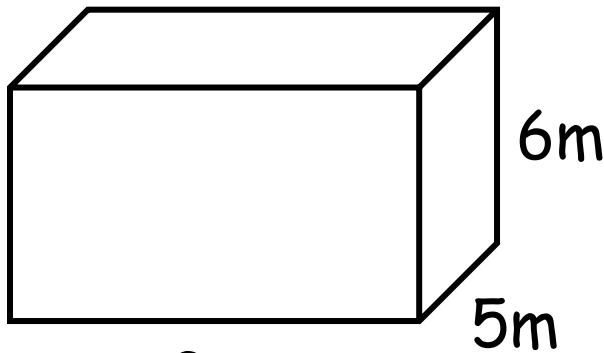
Find the volume of each shape.



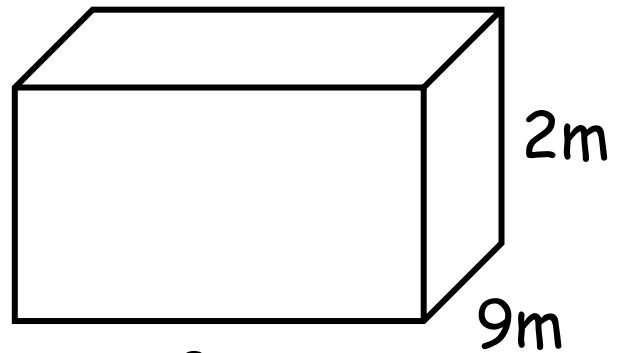


# Volume

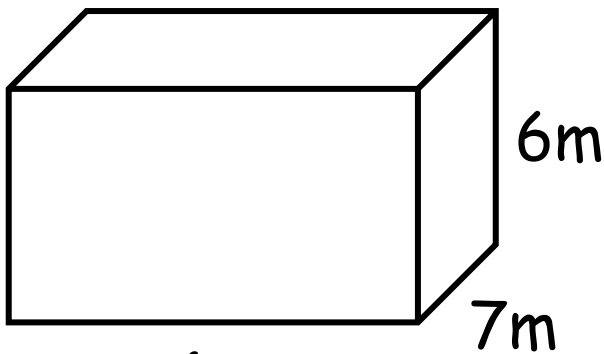
Find the volume of each shape.



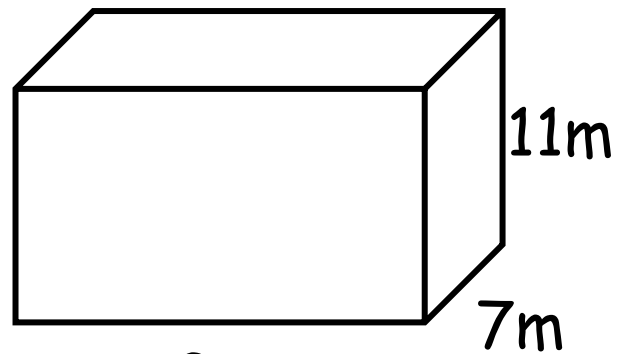
3m  
90m<sup>3</sup>



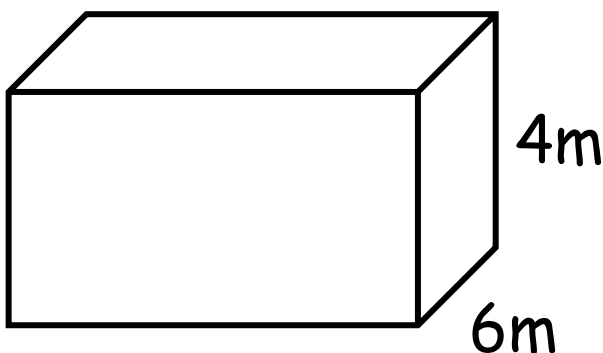
8m  
144m<sup>3</sup>



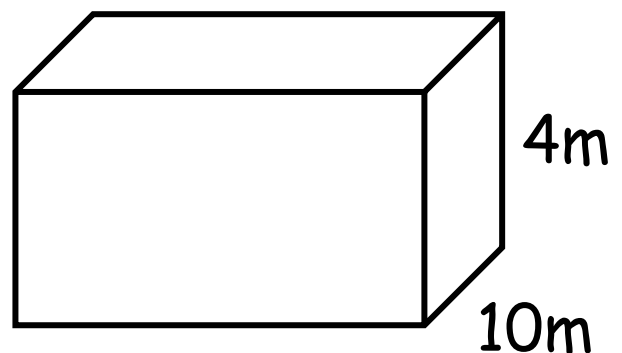
4m  
168m<sup>3</sup>



3m  
231m<sup>3</sup>



8m  
192m<sup>3</sup>



9m  
360m<sup>3</sup>