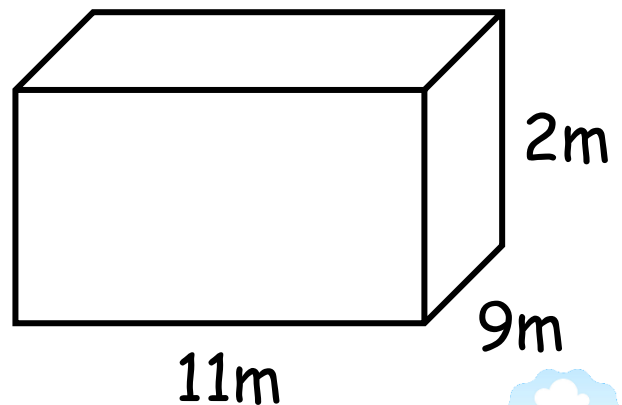
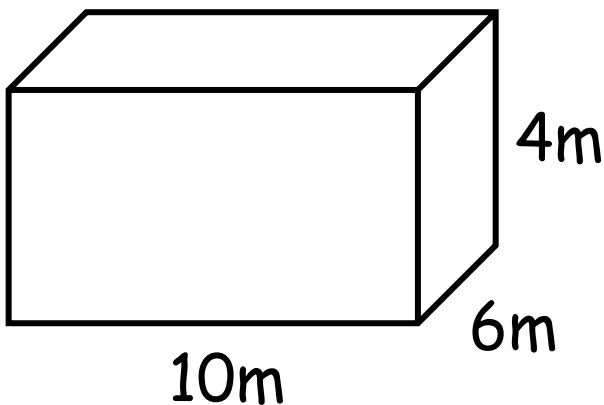
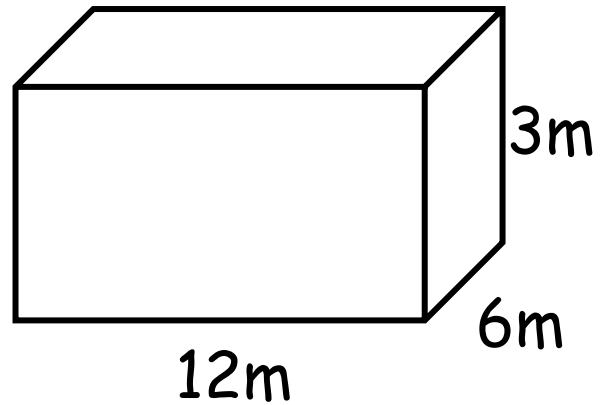
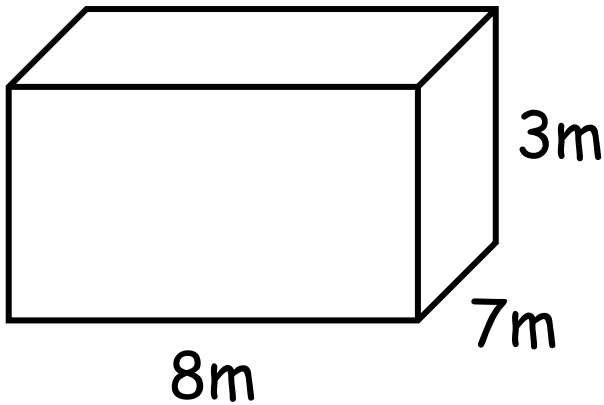
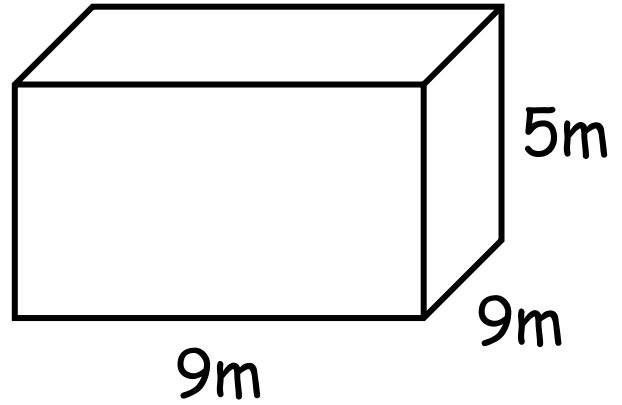
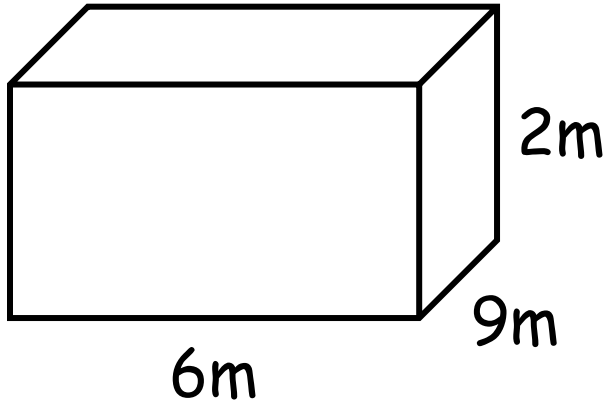


Name: _____



Volume

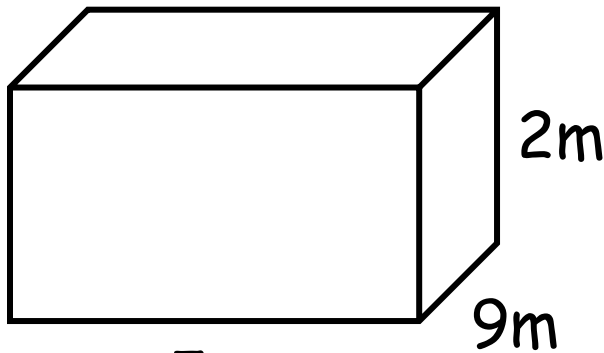
Find the volume of each shape.



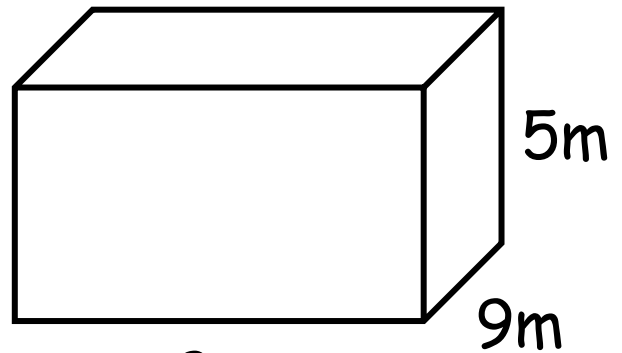


Volume

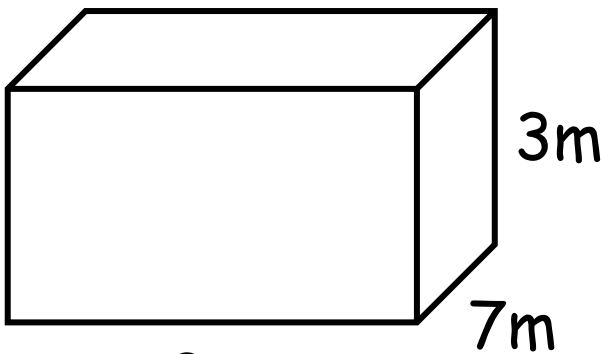
Find the volume of each shape.



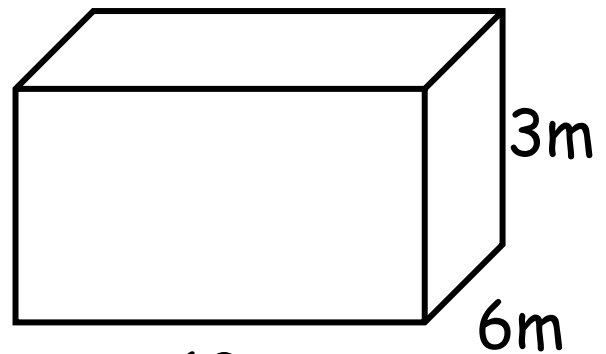
5m
90m³



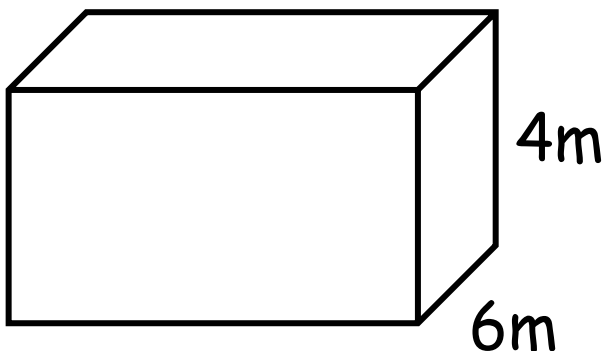
9m
405m³



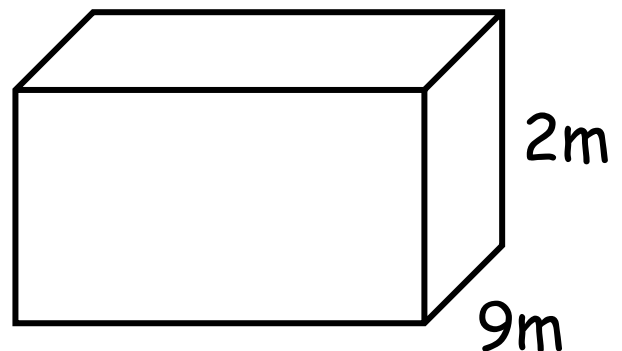
8m
168m³



12m
216m³



10m
240m³



11m
198m³